

To the Users of AITech's Wireless pc2TV Upgrade Kit:

Important Safety Precautions:

1. To prevent fire or shock hazard, do not expose this product to rain or moisture. Do not use near a bathtub, sink or laundry tub, in a wet basement or around a swimming pool.
2. To avoid electrical shock, do not open the case of this product.
3. Operate this product using only the power supply included with the unit or supplied as an accessory.
4. Do not overload electrical outlets or extension cords as this can result in electrical shock.
5. Refer servicing to qualified personnel only.

Caution: Changes or modifications not expressly approved by the party responsible for compliance could void the user's authority to operate the equipment.

Disclaimer: This product is designed for lawful use as a wireless system for transmitting audio and video signals from one location in the home or office to another location. AITech International hereby advises the consumer to consult with local officials and other legal authorities regarding the proper use and application of this product in compliance with all applicable state and federal laws. AITech International shall not be responsible for any misuse or unlawful application of this product by any individual or entity under any circumstances.

Need help?

For the latest information on product installation and usage, please visit the Technical Support and FAQ pages at www.aitech.com.

FCC CAUTION

THIS DEVICE COMPLIES WITH PART 15 OF THE FCC RULES. OPERATION IS SUBJECT TO THE FOLLOWING TWO CONDITIONS:

- (1) THIS DEVICE MAY NOT CAUSE HARMFUL INTERFERENCE. AND
- (2) THIS DEVICE MUST ACCEPT ANY INTERFERENCE RECEIVED. INCLUDING

INTERFERENCE THAT MAY CAUSE UNDESIRE OPERATION.

This equipment generates and uses radio frequency energy, and if not installed and used properly, that is, in strict accordance with the manufacturers instructions, it may cause interference to radio and television reception. It has been type tested and found to comply with the limits for remote control devices in accordance with the specifications in Sub-Parts B and C of Part 15 of FCC Rules, which are designed to provide reasonable protection against such interference in a residential installation. However, there is no guarantee that interference will not occur in a particular installation. If this equipment does cause interference to radio or television reception, which can be determined by unplugging the equipment, try to correct the interference by one or more of the following measures:

- Reorient the antenna of the radio/TV experiencing the interference.
- Relocate the equipment with respect to the radio/TV.
- Move the equipment away from the radio/TV.
- Plug the equipment into an outlet on a different electrical circuit from the radio/TV experiencing the interference.
- If necessary, consult your local Dealer for additional suggestions.

Table of Contents

Introducing the Wireless pc2TV Upgrade Kit	3
List of Packaged Contents	4
Panel Controls and Features	5
Setting Up the Wireless Transmitter and Receiver Units	6
Connecting the Transmitter to your:	
Scan Converter or PC/Notebook with TV-out	7
Audio/Video Equipment	8
Camcorder	9
Stereo Equipment	10
Multiple Audio/Video components	11
Connecting the Receiver to your:	
Television or video monitor	12
TV without A/V Jacks	12
VCR/DVD	13
Stereo Equipment	14
Connecting and using the IR Remote Control Relay System	15
Orienting Transmitter and Receiver Units for Optimum Performance	15
Troubleshooting	16
Specifications	17

Introducing the Wireless pc2TV Upgrade Kit

2.4GHz Wireless Convenience

The AITech Wireless pc2TV Upgrade Kit uses the latest in wireless communications technology to deliver consistently sharp and clear color video images and stereo audio up to 100 feet away. Whether delivering presentations in the executive boardroom, teaching in the classroom, or enjoying entertainment at home, the Wireless pc2TV Upgrade kit provides the ultimate solution for extending the reach your computer the Wireless Way!

By transmitting at a super-high frequency of 2.4 GHz, the FCC-approved Wireless pc2TV Upgrade Kit avoids the crowded frequency band used by many cordless phones and other wireless audio/video transmitters, and utilizes FM rather than lower-quality AM signal modulation. Patented “hidden” omni-directional antennas, designed inside the Wireless Transmitter and Wireless Receiver units for easy installation and use, minimize multipath interference for superior long-range performance. In addition, four selectable RF channels create a scalable solution that allows for multiple transmitters and receivers to operate in the same area.

Entertainment, Training, Communications, and Security

Enjoy the convenience of being able to send audio and video between your computer and numerous other Audio/Video devices without the hassle and expense of running extra wiring, moving you're A/V components, or buying new ones. Connecting the Wireless pc2TV Upgrade Kit to a camcorder or surveillance camera instantly creates a long-range wireless monitor for added security and safety for your family, home, and business.

It's Easy to Install the Wireless pc2TV Upgrade Kit

The following pages show you how to connect the Wireless Transmitter and Wireless Receiver to the various types of computer and A/V components you may have in your home or office.

List of Packaged Contents

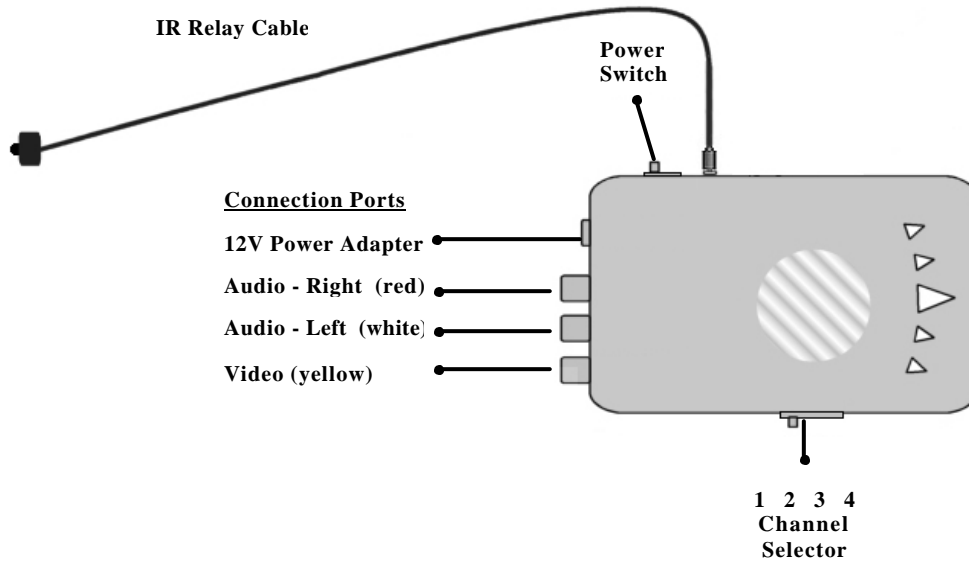
The following ten (10) items should be included in the Wireless pc2TV Upgrade Kit box. Please check that all are present before and proceeding with installation.

- One (1) 2.4 GHz RF Transmitter
- One (1) 2.4 GHz RF Receiver
- Two (2) Audio/Video (A/V) Cables (yellow, red, and white RCA male connectors on each end)
- Two (2) AC Powder Adapters, 12V
- One (1) IR Remote Extender Cable
- One (1) Audio Cable (3.5mm mini stereo to red and white RCA connectors)
- One (1) Quick Installation Guide
- One (1) CD Containing BigShot Trial and User Manuals

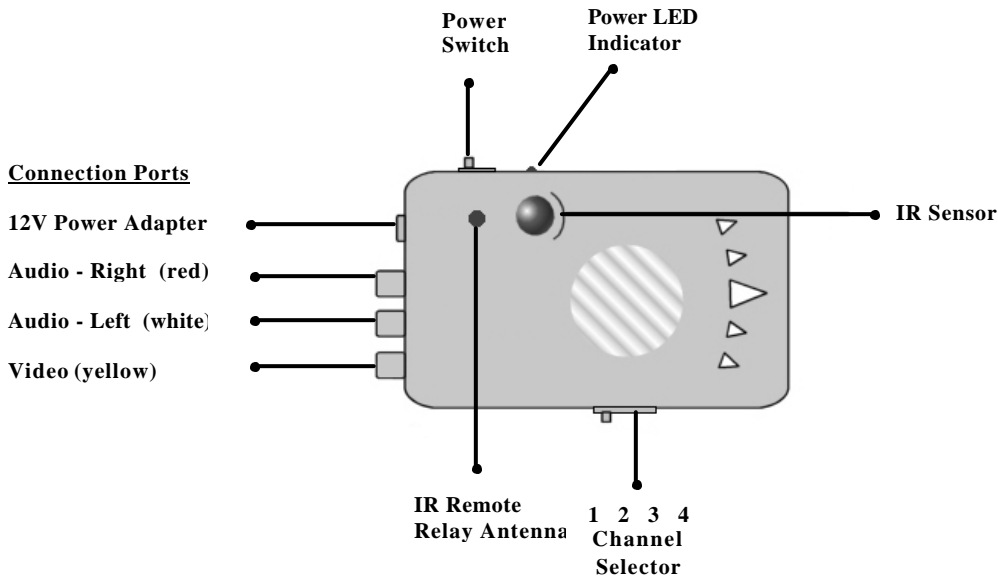
Panel Controls and Features

The following illustrations of the Wireless pc2TV Upgrade Kit show all of the features, connections, and switches for the Wireless Transmitter and Wireless Receiver units.

Top View of the Wireless Transmitter



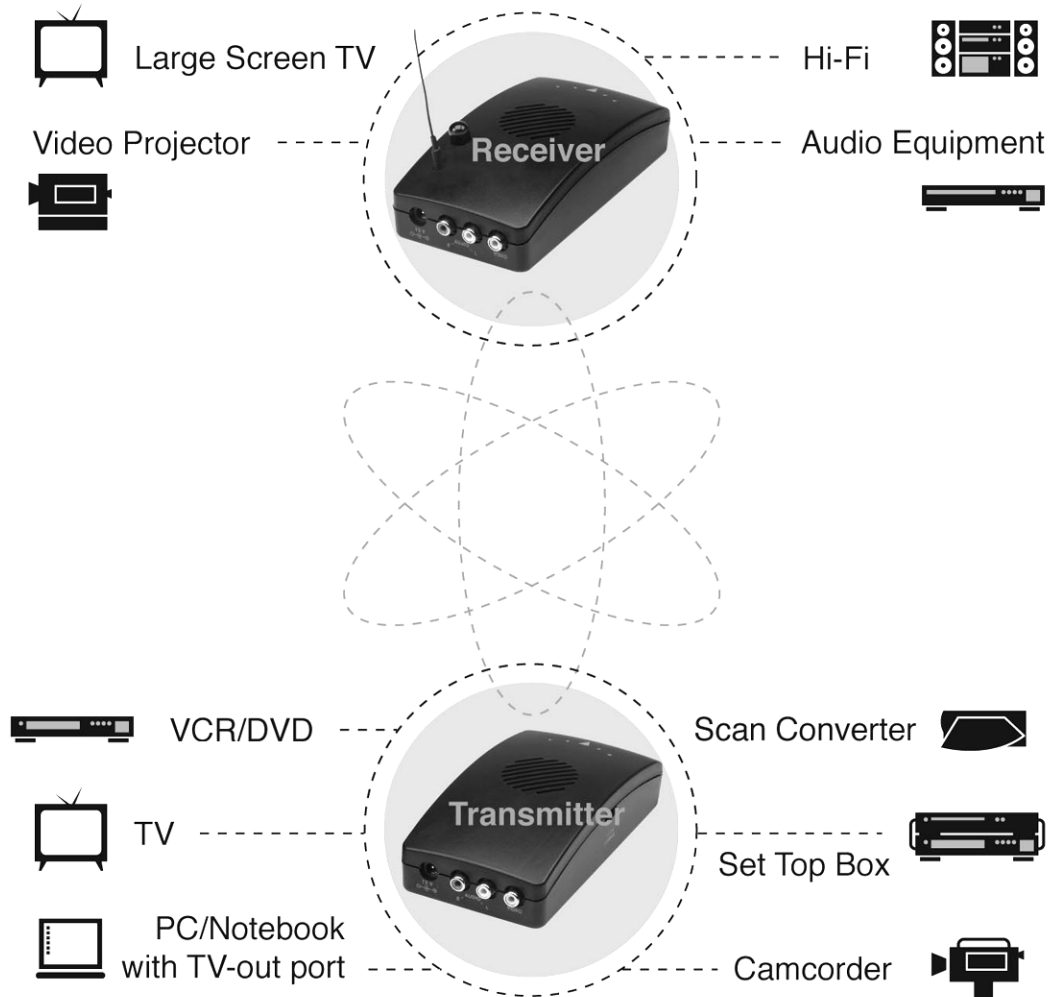
Top View of the Wireless Receiver



Setting Up the Wireless pc2TV Upgrade Kit

Overview

To enjoy wireless video and audio, simply connect the Transmitter to any Audio/Video source component you want to view or hear in another location, and then connect Receiver to the TV, video display, A/V equipment, or stereo equipment in the remote location. Standard RCA (composite) connections make this system compatible with almost all TVs, video displays, scan converters (PC/Notebook computers with TV-out ports), A/V equipment, and stereo equipment.



Transmitter Connections

Scan Converters and PC/Notebook Computers with TV-out

To START - Please refer to your PC/Notebook/Scan Converter owner's manual to ensure that an active video signal (NTSC or PAL) is being sent to your device's TV-out port prior to installation.

Required components:

- **Wireless Transmitter**
- **Audio/Video Cable - Red/White/Yellow RCA plugs**
- **Audio Cable – Mini stereo and Red/White RCA plugs**
- **12V DC Wall Power Adapter**
- **IR Remote Control Relay Cable (OPTIONAL)**

STEP

1. Power OFF the Transmitter (switch on right side of unit).
2. Connect the yellow video plug of the Audio/Video (A/V) cable to the RCA video-out port on your scan converter or TV-out port on your PC/Notebook's video card. (Some Notebooks are now equipped with only an SVideo out-to-TV port—you may need to get an S-VHS to RCA female adapter at your local electronics store). Connect the yellow video plug on the other end of the cable to the Transmitter's VIDEO port (yellow).

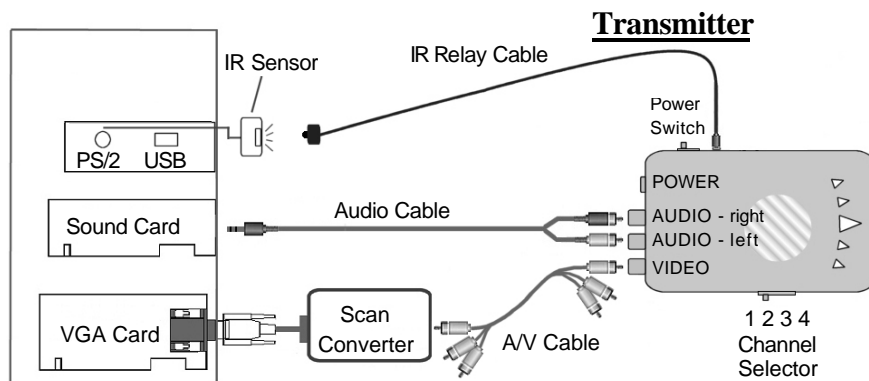
Note - For this installation the red and white plugs on each end of the A/V cable are not in use.

3. Using the audio cable, make a connection between the headphone/audio port on your PC's sound card and the audio ports (red/white) on the Transmitter.
4. Connect one end of the power adapter to 12V DC port on the back of the Transmitter and the other end to any standard 120V AC wall outlet. Turn the transmitter's power switch to the "on" position.
5. Note which channel is in use on the Transmitter's channel selector (left side of unit).

REMOTE CONTROL FEATURE (optional):

1. Connect one end of the IR Remote Control Relay Cable to the IR port on the right side of the Transmitter.
2. Position the other end of the IR Remote Control Relay Cable with the LED facing the Wireless Keyboard/Remote Control's IR sensor.

Please refer to the "Connecting and Using the IR Remote Control Relay System" section on page 15 of this manual for additional information relating to the installation and operation of this feature.



Transmitter Connections

Audio/Video Equipment

Standard RCA (composite) connections make the Wireless pc2TV Upgrade Kit compatible with most A/V equipment including:

TVs	Laser Disc Players	Cassette Decks
VCRs	Satellite/Cable TV Boxes	Stereo Receivers
DVD Players	CCD Cameras	Powered Speakers
Camcorders	CD Players	MP3 Players

Note: Please refer to your Audio/Video equipment owner's manual to ensure that active video and audio signals (NTSC or PAL) are being sent to the source device's A/V-out ports (RCA composite) prior to installation.

Required components:

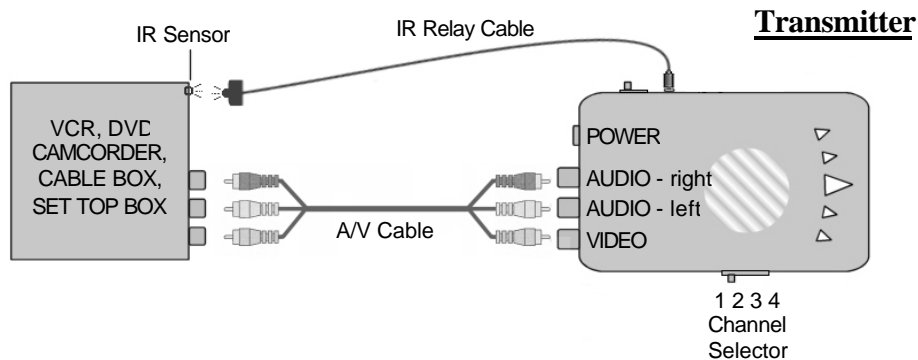
- **Wireless Transmitter**
- **Audio/Video Cable - Red/White/Yellow RCA plugs**
- **IR Remote Control Relay Cable**
- **12 V DC Wall Power Adapter**

1. Power OFF the Transmitter (switch on right side of unit).
2. Connect all three plugs (Red/White/Yellow) of the Audio/Video (A/V) cable to the corresponding A/V output ports on your audio/video equipment (often labeled line-out or audio/video out). Connect the three plugs on the other end of the cable to the appropriately colored A/V ports on the back of the Transmitter.
3. Connect one end of the power adapter to 12V DC port on the back of the Transmitter and the other end to any standard 120V AC wall outlet. Turn the Transmitter's power switch to the "on" position.
4. Note which channel is in use on the Transmitter's channel selector (left side of unit).

REMOTE CONTROL FEATURE (optional):

1. Connect one end of the IR Remote Control Relay Cable to the IR port on the right side of the Transmitter.
2. Position the other end of the IR Remote Control Relay Cable with the LED facing the Wireless Keyboard/Remote Control's IR sensor.

Please refer to the "Connecting and Using the IR Remote Control Relay System" section on page 15 of this manual for additional information relating to the installation and operation of this feature.



Transmitter Connections **Camcorders**

In conjunction with a camcorder or security camera, the Wireless pc2TV Upgrade Kit becomes a portable wireless security system. First, position the camcorder so it views the area (home, office, parking lot, warehouse) or people (sleeping baby, playing children, elderly/disabled person, etc.) you wish to monitor. Then follow the instructions below:

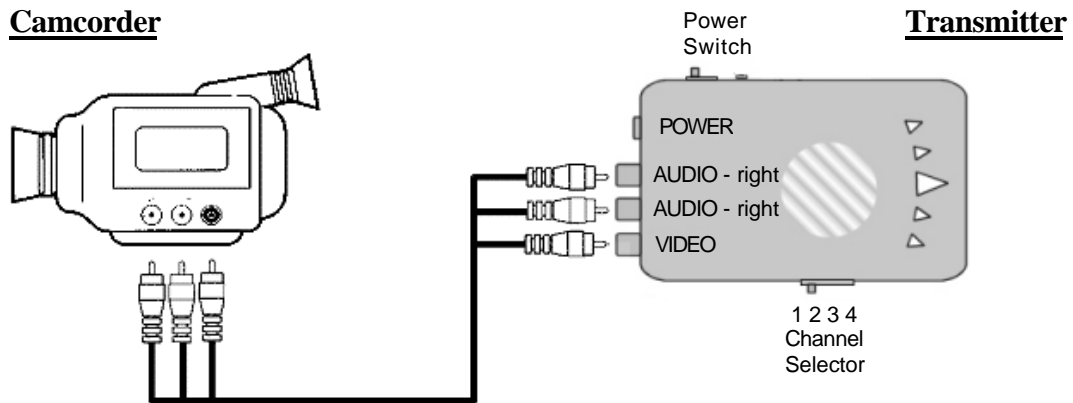
To START - Please refer to the Camcorder owner's manual to ensure that an active video signal (NTSC or PAL) is being sent to your device's TV-out port prior to installation.

Required components:

- **Wireless Transmitter**
- **Audio/Video Cable - Red/White/Yellow RCA plugs**
- **12V DC Wall Power Adapter**

STEP

1. Power OFF the Transmitter (switch on right side of unit).
2. Connect all three plugs (red/white/yellow) of the Audio/Video (A/V) cable to the corresponding A/V output ports on the camcorder (often labeled Line-Out or Audio/Video out). Connect the three plugs on the other end of the cable to the appropriately colored A/V ports on the back of the Transmitter. If the camcorder has only one output for audio (mono sound only), connect the white plug one end of the A/V cable to the camcorder's single audio output port and the other end of the A/V cable to the Transmitter's left (white) AUDIO port.
3. Connect one end of the power adapter to 12V DC port on the back of the Transmitter and the other end to any standard 120V AC wall outlet. Turn the Transmitter's power switch to the "on" position.
4. Note which channel is in use on the Transmitter's channel selector (left side of unit).



Transmitter Connections

Audio Equipment

Use the Wireless pc2TV Upgrade Kit to enjoy sound from your CD Player, cassette deck, tuner or other audio components on speakers in another room. To use this feature, you must have powered speakers, a stereo receiver, or an amplifier connected to the Wireless Receiver at the remote location.

Required components:

- **Wireless Transmitter**
- **Audio/Video Cable - Red/White/Yellow RCA plugs**
- **Audio Cable – Mini stereo and Red/White RCA plugs**
- **12V DC Wall Power Adapter**
- **IR Remote Control Relay Cable (OPTIONAL)**

STEP

1. Power OFF Wireless Transmitter (switch on right side of unit).
2. Connect the left and right audio plugs (white/red) of the Audio/Video (A/V) cable to the corresponding A/V output ports on the stereo equipment (often labeled line-out, Tape Out, or Audio out). Connect the left and right audio plugs on the other end of the cable to the appropriately colored A/V ports on the back of the Transmitter.

Note – For this installation the yellow plug on each end of the A/V cable is not in use.

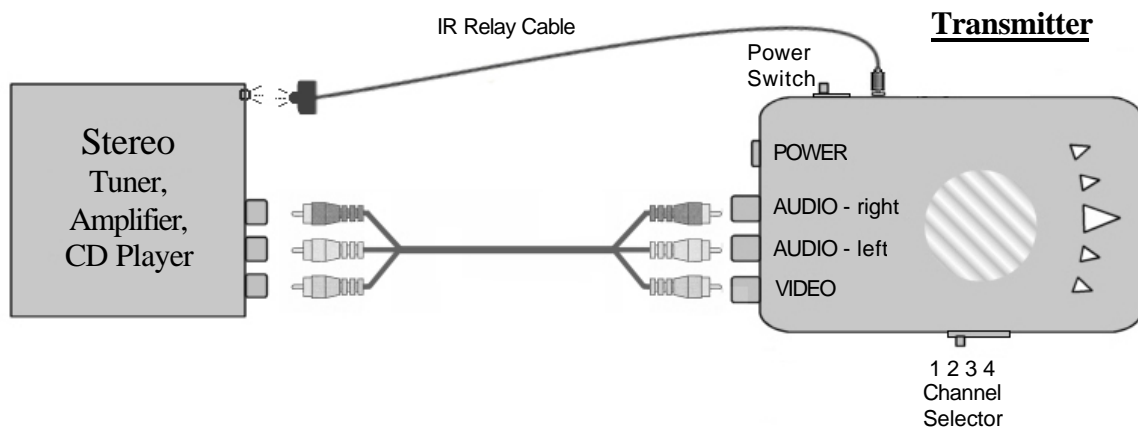
If your source device does not have RCA audio output jacks you may also make this connection using the audio cable (Mini stereo and red/white RCA plugs) with the source device's headphone port.

3. Connect one end of the power adapter to 12V DC port on the back of the Transmitter and the other end to any standard 120V AC wall outlet. Turn the Transmitter's power switch to the "on" position.
4. Note which channel is in use on the Wireless Transmitter's channel selector (left side of unit).

REMOTE CONTROL FEATURE (optional):

1. Connect one end of the IR Remote Control Relay Cable to the IR port on the right side of the Wireless Transmitter.
2. Position the other end of the IR Remote Control Relay Cable with the LED facing the audio equipment's IR remote control sensor.

Please refer to the "Connecting and Using the IR Remote Control Relay System" section on page 15 of this manual for additional information relating to the installation and operation of this feature.



Transmitter Connections

Multiple A/V Devices

You can connect the Wireless pc2TV Upgrade Kit Transmitter to more than one audio/video component (e.g. VCR, DVD Player, and Satellite Receiver) and send the signals from all the components to a remote location. If you already have multiple A/V components hooked up to your local TV, they are probably hooked up in a series (see diagram below). If not, please refer to each component's User Manual and follow the manufacturer's instructions for chaining their equipment with other A/V devices. Once this is completed, follow the instructions below for connecting the entire chain to the Wireless Transmitter.

Note: Some older Audio/Video components do not have RCA (composite) input/output connections. These devices can be chained together using standard coaxial cables (not supplied) from the connectors labeled CABLE/ANT OUT on one component to the connectors labeled CABLE/ANT IN connectors on the following component.

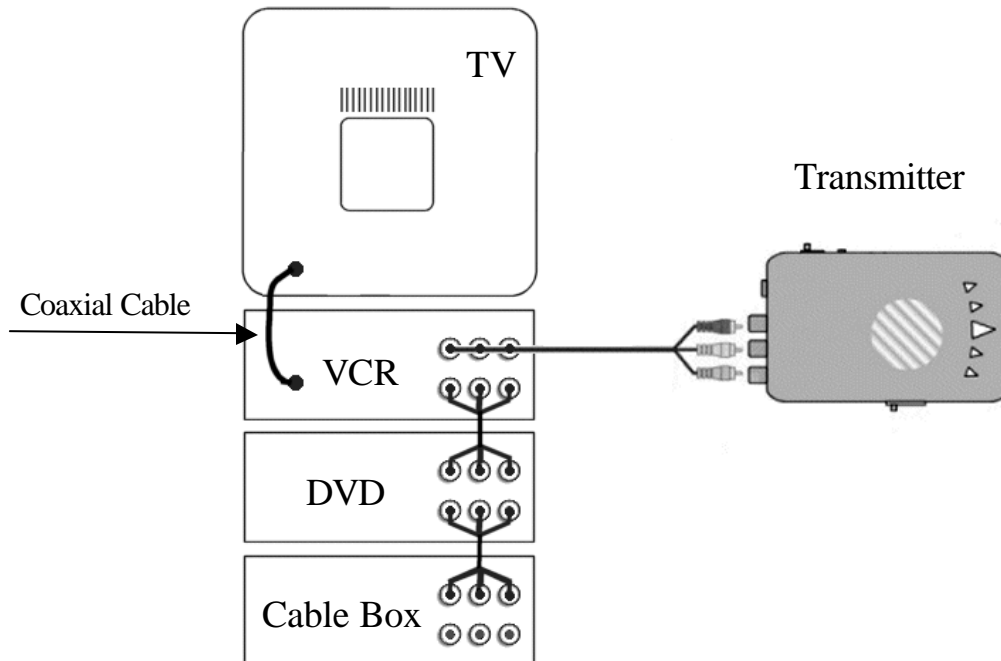
To START - Please refer to your A/V equipment owner's manual to ensure that an active video signal (NTSC or PAL) is being sent to your device's TV-out port prior to installation.

Required components:

- **Wireless Transmitter**
- **Audio/Video Cable - Red/White/Yellow RCA plugs**
- **IR Remote Control Relay Cable**
- **12 V DC Wall Power Adapter**

STEP

1. Power OFF Wireless Transmitter (switch on right side of unit).
2. Connect all three plugs (Red/White/Yellow) of the Audio/Video (A/V) cable to the corresponding A/V output ports (often labeled line-out or Audio/Video out) on the last component in the chain. Connect the three plugs on the other end of the cable to the appropriately colored A/V ports on the back of the Transmitter. If the A/V device has only one output for audio (mono sound only), connect the white plug one end of the A/V cable on the cable to the device's audio output port and the other end of the A/V cable to the to the Wireless Transmitter's left (white) audio port.
3. Connect one end of the power adapter to 12V DC port on the back of the Transmitter and the other end to any standard 120V AC wall outlet. Turn the Transmitter's power switch to the "on" position.
4. Note which channel is in use on the Wireless Transmitter's channel selector (left side of unit).



Receiver Connections

TV and Video Displays

Once the Wireless pc2TV Upgrade Kit Transmitter has been connected to your main system (source device), connecting the Wireless pc2TV Upgrade Kit Receiver to a TV, Video Display, or Audio/Video component in a remote location completes the system installation. If your TV does not have standard RCA (composite) A/V input jacks, installation can also be completed connecting the Wireless pc2TV Upgrade Kit Receiver directly to another A/V device (such as a VCR), which is then connected to the TV.

To START - Please refer to your TV/Video Display owner's manual to review the procedure for setting your display device to accept auxiliary video input.

Required components:

- **Wireless Receiver**
- **Audio/Video Cable - Red/White/Yellow RCA plugs**
- **12V DC Wall Power Adapter**

STEP

1. Power OFF video display device and Wireless Receiver.
2. Connect the three plugs of the A/V cable to the appropriately colored A/V ports on the back of the Receiver. Connect the three plugs on the other end of the cable to the corresponding input ports on your audio/video display device (often labeled line-in or audio/video in).
3. Set Wireless Receiver's channel selector (left side of unit) to the same channel being used by the Wireless Transmitter.
4. Connect one end of the power adapter to 12V DC port on the back of the Receiver and the other end to any standard 120V AC wall outlet. Turn the Receiver's power switch to the "on" position.
5. Power ON video display device.
6. Set display device to the correct video line (typically done by way of a set up menu built into your display device or by using the device's remote control). Please refer to your device's instruction manual for additional information on completing these settings.
7. For optimal video and audio performance, try all four channels to determine which provides the best reception in your home or work environment.

Note –The Wireless Transmitter and Receiver should always be switched to matching channels during use (channel selectors on the left side of each unit).

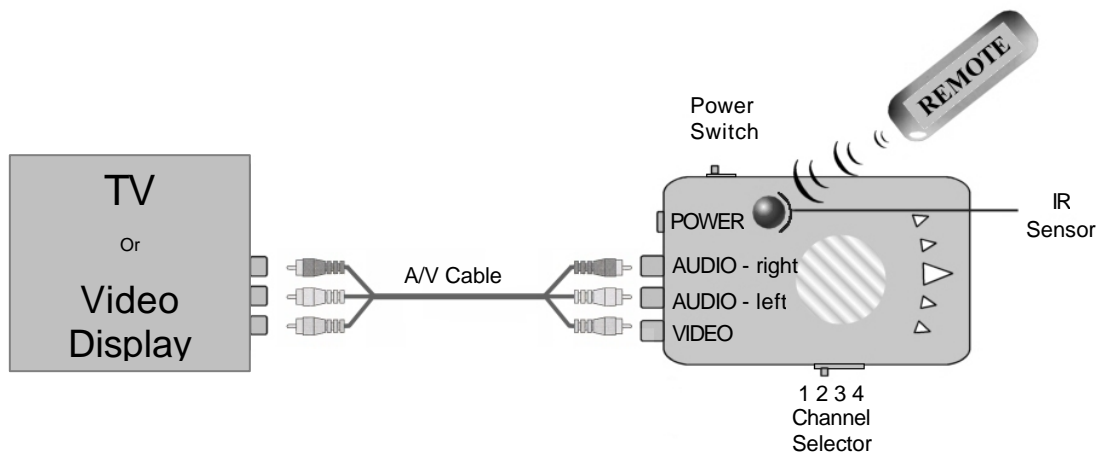
Note: For TVs Without A/V Input Jacks:

If your TV does not have standard RCA (composite) A/V input jacks you can connect the Wireless pc2TV Upgrade Kit Receiver directly to another A/V device (such as a VCR), which is then connected to the TV. Please see page 13 of this manual for instructions on connecting to a VCR/DVD player. Refer to both the display device and the Audio/Video device's user manuals to review procedures for connecting the two devices and setting both devices to accept auxiliary video input.

REMOTE CONTROL FEATURE (optional):

1. Confirm that the IR Remote Control Relay Cable connected to the Wireless Transmitter is properly positioned in front of the source device's IR sensor.
2. Start using your remote control by pointing it at the front of the red IR sensor on the top of the Wireless Receiver and proceed normally.

Please refer to the "Connecting and Using the IR Remote Control Relay System" section on page 15 of this manual for additional information relating to the installation and operation of this feature.



Receiver Connections

VCR or DVD

Once the Wireless pc2TV Upgrade Kit Transmitter has been connected to your main system (source device), connecting the Wireless pc2TV Upgrade Kit Receiver directly to a VCR or DVD/DVDR provides a simple, hassle free solution to record video on components in remote locations. If your TV does not have standard RCA (composite) A/V input jacks, you can create a chain to pass video/audio signals through to the TV by connecting the Wireless pc2TV Upgrade Kit Receiver directly to the A/V device and then using a coaxial cable to link the VCR/DVD player to your TV.

To START - Please refer to your TV/Video Display and Audio/Video device owner's manuals to review the procedure for setting each piece of equipment to accept auxiliary video input.

Required components:

- **Wireless Receiver**
- **Audio/Video Cable - Red/White/Yellow RCA plugs**
- **12V DC Wall Power Adapter**
- **Coaxial cables (not included)**

STEP

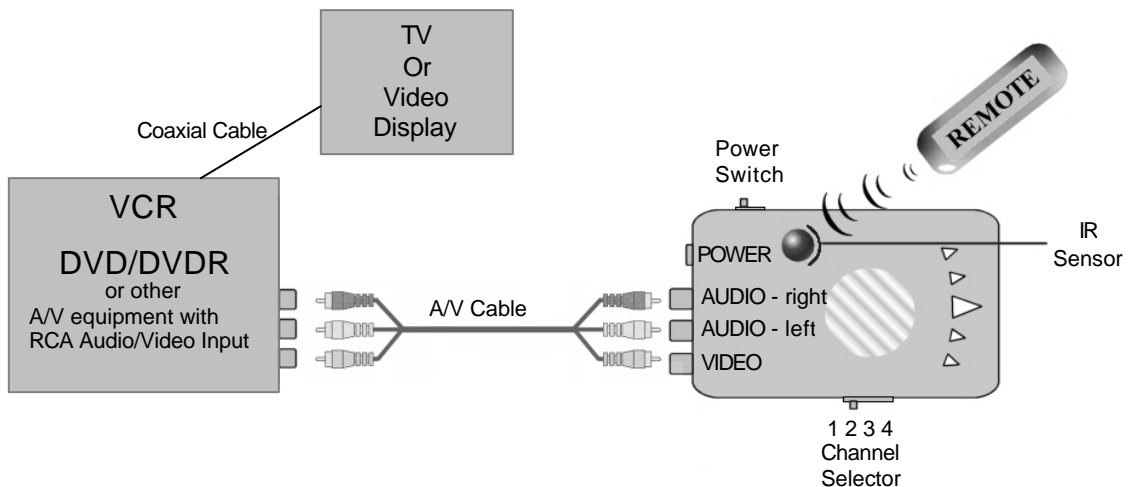
1. Power OFF Audio/Video device and Wireless Receiver.
2. Connect the three plugs of the A/V cable to the appropriately colored A/V ports on the back of the Receiver. Connect the three plugs on the other end of the cable to the corresponding input ports on your Audio/Video device (often labeled line-in or audio/video in).
3. Set Wireless Receiver's channel selector (left side of unit) to the same channel being used by the Wireless Transmitter.
4. Connect one end of the power adapter to 12V DC port on the back of the Receiver and the other end to any standard 120V AC wall outlet. Turn the Receiver's power switch to the "on" position.
5. Power ON Audio/Video device.
6. Set Audio/Video device to the correct video line (typically done by way of a set up menu built into your display device or by using the device's remote control). Please refer to your device's instruction manual for additional information on completing these settings.
7. For optimal video and audio performance, try all four channels to determine which provides the best reception in your home or work environment.

Note -The Wireless Transmitter and Receiver should always be switched to matching channels during use (channel selectors on the left side of each unit).

REMOTE CONTROL FEATURE (optional):

1. Confirm that the IR Remote Control Relay Cable connected to the Wireless Transmitter is properly positioned in front of the source device's IR sensor.
2. Start using your remote control by pointing it at the front of the red IR sensor on the top of the Wireless Receiver and proceed normally.

Please refer to the "Connecting and Using the IR Remote Control Relay System" section on page 15 of this manual for additional information relating to the installation and operation of this feature.



Receiver Connections

Stereo Equipment

No need to go through the hassle of running wires when you can connect the Wireless pc2TV Upgrade Kit Receiver to powered speakers or any stereo receiver/amplifier with RCA input jacks to start enjoying music (even MP3 files from your computer) generated from an audio source in another room.

To START - Please refer to your audio device owner's manuals to review the procedure for setting each piece of equipment to accept auxiliary audio input.

Required components:

- **Wireless Receiver**
- **Audio/Video Cable - Red/White/Yellow RCA plugs**
- **12V DC Wall Power Adapter**

STEP

1. Power OFF audio device and Wireless Receiver.
2. Connect the three plugs of the A/V cable to the appropriately colored A/V ports on the back of the Receiver. Connect the red and white plugs on the other end of the cable to the corresponding input ports on your audio device (often labeled line-in, audio-in, or AUX, CD, or TAPE IN).

Note - For this installation the yellow RCA plug on each end of the A/V cable is not in use.

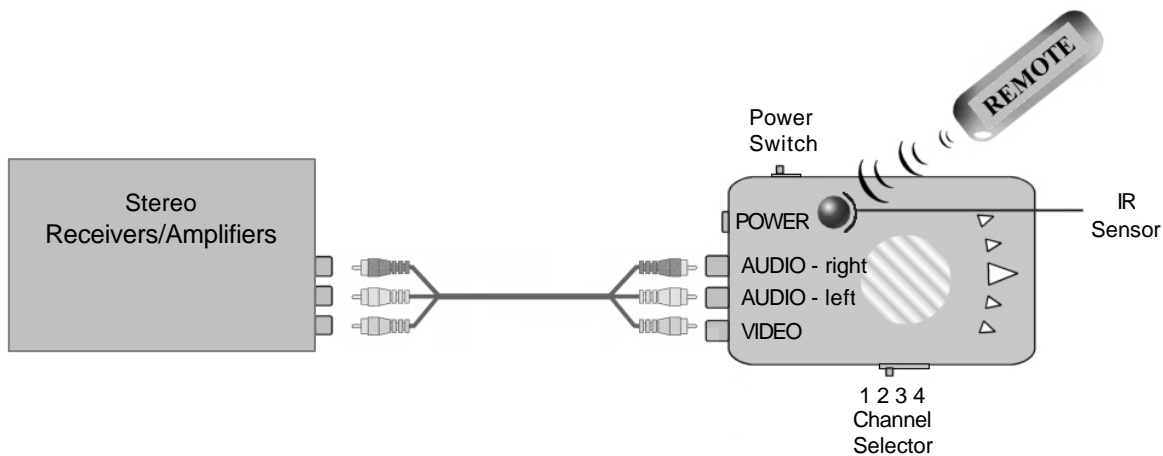
3. Set Wireless Receiver's channel selector (left side of unit) to the same channel being used by the Wireless Transmitter.
4. Connect one end of the power adapter to 12V DC port on the back of the Receiver and the other end to any standard 120V AC wall outlet. Turn the Receiver's power switch to the "on" position.
5. Power ON Audio/Video device.
6. For audio performance, try all four channels to determine which provides the best reception in your home or work environment.

Note -The Wireless Transmitter and Receiver should always be switched to matching channels during use (channel selectors on the left side of each unit).

REMOTE CONTROL FEATURE (optional):

1. **Confirm that the IR Remote Control Relay Cable connected to the Wireless Transmitter is properly positioned in front of the source device's IR sensor.**
2. Start using your remote control by pointing it at the front of the red IR sensor on the top of the Wireless Receiver and proceed normally.

Please refer to the "Connecting and Using the IR Remote Control Relay System" section on page 15 of this manual for additional information relating to the installation and operation of this feature.



Connecting and Using the IR Remote Control Relay System

The Wireless pc2TV Upgrade Kit not only allows you to send crisp audio/video from one area to another, it also gives you the ability to control the source using your existing remote control device. It converts the infrared (IR) signal emitted by your remote control to a radio frequency (RF) signal in UHF band (434 MHz), at the Receiver and sends it back to the Transmitter where the RF signal is converted back to the original IR signal and beamed to the Audio/Video source device.

Transmitter Connection

Required components:

- **Wireless Transmitter**
- **IR Remote Control Relay Cable**
- **IR Remote Control (not included)**

Step

1. Power OFF Wireless Transmitter (switch on right side of unit).
2. Plug the IR relay cable into port labeled IR on the right side of the Transmitter.
3. Orient the other end of the IR relay cable so that the LED points in the general direction of the IR sensor of the source A/V equipment (or PC wireless keyboard, mouse, or remote control) you wish to control.

Using the IR Remote Control Relay System

Position the Wireless pc2TV Upgrade Kit Receiver so that your remote control signal can strike the circular IR sensor located on the top side of the unit. Start using your remote control by pointing it at the front of the red IR sensor and proceed normally.

Orienting the Transmitter and Receiver Units for Optimal Performance

Both the Transmitter and Receiver should be placed on a flat, stable surface to prevent damage from falling.

For maximum range between the Transmitter and Receiver units, try to minimize the number of obstacles such as your TV, other electronics, large furniture or appliances between the Transmitter and Receiver units. For best performance, the units should be placed as high as possible to minimize the possibility of interference from people walking between the Transmitter and Receiver.

The Wireless pc2TV Upgrade Kit system broadcasts its high-quality audio and video using a patented omni-directional antenna design. The ergonomic design of this unit (hidden antennas) alleviates the hassles of having to make external antenna adjustments to improve reception. That being said, RF transmission is not an exact science so we do recommend that in general you have the front side of the units facing one another and that you try making minor adjustments to the resting position of both the Wireless Transmitter and Receiver units in their desired areas of operation to achieve superior performance results.

The Transmitter and Receiver units both feature channel selectors that let you choose between four available channels for best reception. To change channels, slide the channel selector button located on the left of each unit. Both the Transmitter and Receiver must be set to the same channel for reception to occur. Try all four channels to determine which provides the best reception in your home or work environment.

Troubleshooting, Care, and Maintenance

Please read this User's Manual carefully and follow the steps it describes for operating the Wireless pc2TV Upgrade Kit. If you still have difficulties in operating the system, consult the following table, which will guide you through the most common problems and their solutions.

Problem	Possible Solutions
No Picture or Sound	<ul style="list-style-type: none"> • Check that the power ON/OFF switches on the Transmitter and Receiver units are switched "on". • Check that the power to all components in use with both the Wireless Transmitter and Wireless Receiver is turned "on". • Make sure the Transmitter and Receiver's power adapter cords are firmly inserted in both units and in the AC wall outlets. • Make sure both Transmitter and Receiver channels are the same. • Make sure that all components in use with both the Wireless Transmitter and Wireless Receiver TV are set to the proper channels for sending and receiving auxiliary video and audio signals (refer to component owner's manuals). • Check all cable connections.
Interference: Noisy Picture or Sound	<ul style="list-style-type: none"> • Adjust Wireless Transmitter and Wireless Receiver orientation (see section on "Orienting the Transmitter and Receiver Units for Optimal Performance" on page 15 of this manual.). • Select a different channel by setting the channel selector button on both the Wireless Transmitter and Wireless Receiver so the channels match. • Minimize the number of obstacles such as your TV, other electronics, large furniture or appliances between the Transmitter and Receiver units. For best performance, the units should be placed as high as possible to minimize the possibility of interference from people walking between the Transmitter and Receiver. • Microwave ovens some of the newer cordless phones (2.4 GHz) use frequencies (2.4 GHz) similar to those used by this product. Minimize use of these products while operating the Wireless pc2TV Upgrade Kit. If interference occurs while these products are in use, we suggest you try all four channels to determine which provides the best reception.
Remote Control Relay System does not work	<ul style="list-style-type: none"> • Check to make sure that the IR relay cable is properly connected to the IR port on the right side of the Wireless Transmitter. • Make sure the LED end of the IR relay cable is properly positioned in front of the IR sensor on the source component. • Make sure that the Wireless Receiver is positioned so that the front of the circular IR sensor is properly exposed to receive the signal from the remote control (see "Connecting and Using the IR Remote Control Relay System" on page 15 of this manual). • Check the batteries in the remote control.

Care and Maintenance: Clean the outside plastic housings of the Wireless pc2TV Upgrade Kit with a soft cloth lightly moistened with mild soap and water. Never use any type of abrasive scouring powder or solvent.

Wireless pc2TV Upgrade Kit Features and Specifications

Features

- 2.4 GHz ISM Band for high quality radio frequency transmission of video and stereo audio
- 4 selectable radio frequency channels increase flexibility and reliability for crystal clear performance
- Patented omni-directional high gain antenna reduces multipath interference, providing reliable long-range video and audio transmission (up to 100 feet clear line of sight).
- Simple user-friendly design eliminates all moving parts for easy installation and use
- Precision Remote Control Extender allows for continued control of your audio/video devices with your existing IR remote control.
- NTSC/PAL video format compatible
- FCC & CE Certified

Transmitter Specs

- **Modulation:** FM
- **Frequency:** 2400 MHz ~ 2483 MHz
- **Transmitter Power:** 13 dBm (typical)
- **RF Channels:** 4 channels (2.4 –2.483 GHz)
- **RF Channel Selection:** Manual
- **Video Standard:** NTSC, PAL
- **Frequency Stability:** \pm 100 KHz (typical)
- **Video Input:** 1 RCA composite jack at 1 Vp-p (typical)
- **Stereo Audio Input L/R:** 2 RCA composite jacks at 1 Vp-p (typical)
- **IR Remote Control Relay Cable:** 5 foot cable, 2.5mm mini din male to LED
- **Power Supply:** 12VDC, center positive (+) polarity, 500mA (max)
- **Size:** 155mm(h) x 80mm(w) x 41mm(d)
- **Operating Conditions:** Indoor Usage Only

Receiver Specs

- **Modulation:** FM
- **Frequency:** 2400 MHz ~ 2483 MHz
- **Receiver Sensitivity:** -85 dBm (minimum)
- **RF Channels:** 4 (2414 MHz, 2432 MHz, 2450 MHz, 2468 MHz)
- **RF Channel Selection:** Manual
- **Video Standard:** NTSC, PAL
- **Video Output:** 1 RCA composite jack at 1 Vp-p (typical)
- **Stereo Audio Output L/R:** 2 RCA jacks at 1 Vp-p (typical)
- **Remote control signal frequency:** 434 MHz
- **Power Supply:** 12VDC, center positive (+) polarity, 500mA(max)
- **Size:** 155mm(h) x 80mm(w) x 41mm(d)
- **Operating Conditions:** Indoor Usage Only

Note: All specifications are subject to change without notice.