

# Wireless pc2TV Upgrade Kit

## Quick Installation Guide

### Transmitter Connections

#### Option A: For external Scan Converters and PC/Notebook Computers with TV-out

**To START** - Please refer to your PC/Notebook/Scan Converter owner's manual to ensure that an active video signal (NTSC or PAL) is being sent to your device's TV-out port prior to installation.

**Optional software installation (Recommended):** BigShot Screen Magnifier - For the ultimate PC-to-TV viewing experience AITech recommends that you install the free trial version of BigShot Screen Magnifier included on the Wireless pc2TV Upgrade Kit's User CD. This software provides 20 levels of magnification allowing you to double the size of images on you PC/Notebook monitor for crystal clear viewing of pictures and text on any TV. Try it and see, you'll be amazed with the results! For more information on this product please review the BigShot User's Guide included on the CD or visit [www.bigshotmagnifier.com](http://www.bigshotmagnifier.com)

#### Required components:

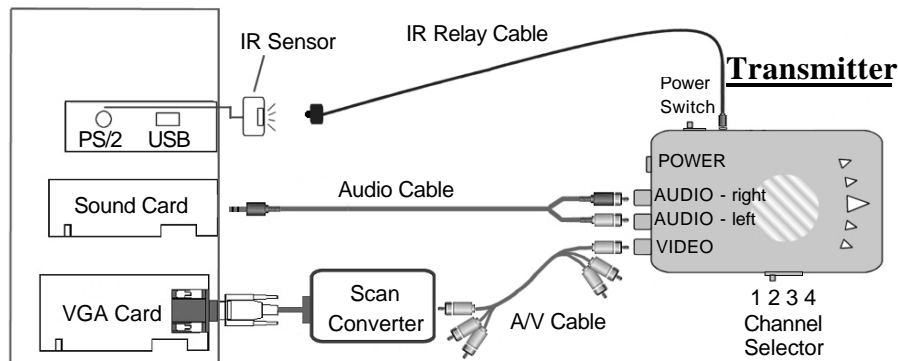
- **Wireless Transmitter**
- **Audio/Video Cable - Red/White/Yellow RCA plugs**
- **Audio Cable – Mini stereo and Red/White RCA plugs**
- **12V DC Wall Power Adapter**
- **IR Remote Control Relay Cable (OPTIONAL)**

#### STEP

1. Power OFF Wireless Transmitter (switch on right side of unit).
2. Connect the yellow video plug of the Audio/Video (A/V) cable to the RCA video-out port on your scan converter or TV-out port on your PC/Notebook's video card. (Some Notebooks are now equipped with only a S-Video out-to-TV port – you may need to get an S-VHS to RCA female adapter at your local electronics store). Connect the yellow video plug on the other end of the cable to the Wireless Transmitter's video port (yellow).

**Note – For this installation the red and white plugs on eachend of the A/V cable are not in use.**

3. Using the audio cable, make a connection between the headphone/audio port on your PC's sound card and the audio ports (red/white) on the Wireless Transmitter.
4. Connect one end of the power adapter to 12V DC port on the back of the Transmitter and the other end to any standard 120V AC wall outlet. Turn the transmitter's power switch to the "on" position.
5. Note which channel is in use on the Wireless Transmitter's channel selector (left side of unit).



#### Option B: For use with other Audio/Video equipment

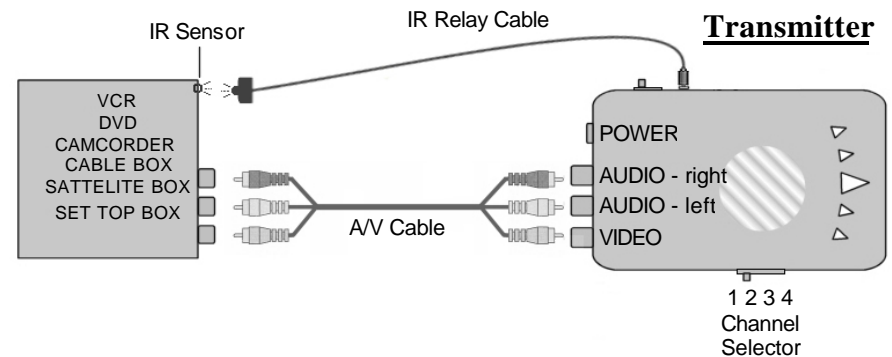
**To START** - Please refer to your Audio/Video equipment owner's manual to ensure that an active video signal (NTSC or PAL) is being sent to your device's video-out port (RCA composite) prior to installation.

#### Required components:

- **Wireless Transmitter**
- **Audio/Video Cable - Red/White/Yellow RCA plugs**
- **IR Remote Control Relay Cable**
- **12 V DC Wall Power Adapter**

#### STEP

1. Power OFF Wireless Transmitter (switch on right side of unit).
2. Connect all three plugs (red/white/yellow) of the Audio/Video (A/V) cable to the corresponding A/V output ports on your Audio/Video equipment (often labeled line-out or Audio/Video out). Connect the three plugs on the other end of the cable to the appropriately colored A/V ports on the back of the Transmitter.
3. Connect one end of the power adapter to 12V DC port on the back of the Transmitter and the other end to any standard 120V AC wall outlet. Turn the Transmitter's power switch to the "on" position.
4. Note which channel is in use on the Wireless Transmitter's channel selector (left side of unit).



### Remote Control Feature For Both PC And A/V Equipment

**EXTEND THE REACH OF IR WIRELESS KEYBOARDS, MICE, AND REMOTE CONTROLS**

#### TRANSMITTER CONNECTIONS:

Connect one end of the IR Remote Control Relay Cable to the IR port on the right side of the Wireless Transmitter. Position the other end of the IR Remote Control Relay Cable with the LED facing the Wireless Keyboard/Remote Control's IR sensor.

## Receiver Connections

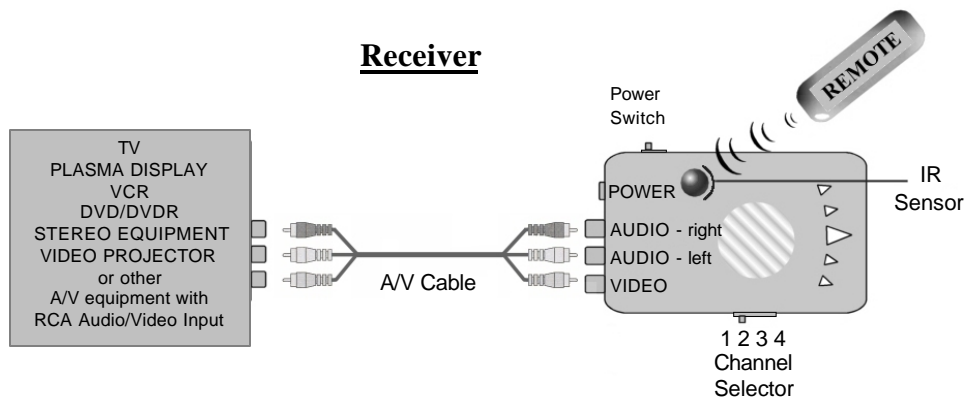
### Required components:

- **Wireless Receiver**
- **Audio/Video Cable - Red/White/Yellow RCA plugs**
- **12 V DC Wall Power Adapter**

### STEP

1. Power OFF video display device and Wireless Receiver.
2. Connect the three plugs of the A/V cable to the appropriately colored A/V ports on the back of the Receiver. Connect the three plugs on the other end of the cable to the corresponding input ports on your audio/video display device (often labeled line-in or audio/video in).
3. Set Wireless Receiver's channel selector (left side of unit) to the same channel being used by the Wireless Transmitter.
4. Connect one end of the power adapter to 12V DC port on the back of the Receiver and the other end to any standard 120V AC wall outlet. Turn the Receiver's power switch to the "on" position.
5. Power ON video display device.
6. Set display device to the correct video line (typically done by way of a set up menu built into your display device or by using the device's remote control). Please refer to your device's instruction manual for additional information on completing these settings.
7. For optimal video and audio performance, try all four channels to determine which provides the best reception in your home or work environment.

**Note –The Wireless Transmitter and Receiver should always be switched to matching channels during use (channel selectors on the left side of each unit).**



### **Remote Control Feature For Both PC And A/V Equipment**

#### **USING THE REMOTE CONTROL FEATURE:**

Confirm that the IR Remote Control Relay Cable connected to the Wireless Transmitter is properly positioned in front of the source device's IR sensor. Start using your remote control by pointing it at the front of the red IR sensor on the top of the Wireless Receiver and proceed normally.

For more help, refer to the User Manual on the CD, or visit our online technical support pages on our website [www.AITech.com](http://www.AITech.com).

**AITech**  
*Vision for Net Media*

AITech International Corporation  
1288 Kifer Rd., Suite 203  
Sunnyvale, CA 94086 USA

[www.AITech.com](http://www.AITech.com)